

TEST NAME: PSc 1.1 The Metric System Spring 2018
TEST ID: 2180115
GRADE: 09 - Ninth Grade - 12 - Twelfth Grade
SUBJECT: Life and Physical Sciences
TEST CATEGORY: School Assessment

02/09/18, PSc 1.1 The Metric System Spring 2018

Student: _____

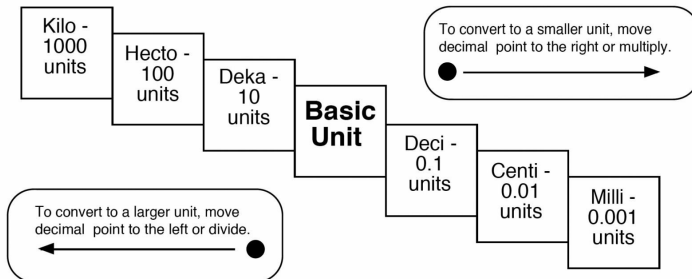
Class: _____

Date: _____

1. Convert:

500 Km to _____ m

Metric Conversion Chart

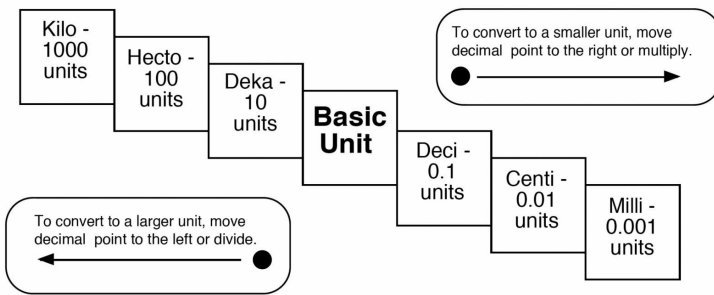


- A. 500,000
- B. 5
- C. 50,000
- D. 5,000

2. Convert:

10 Hg to _____ g

Metric Conversion Chart

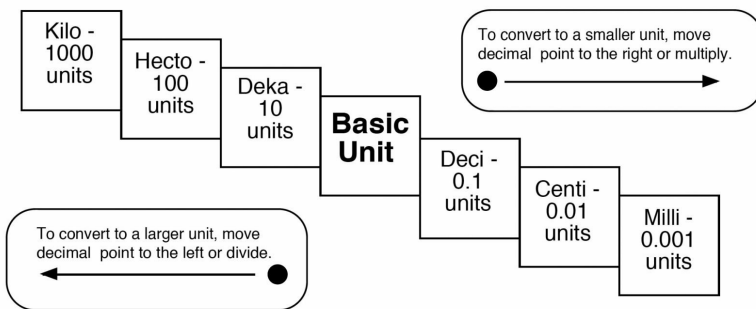


- A. .0010
- B. 1,000
- C. 10,000
- D. 0.010

3. Convert:

30 mL to _____ HL

Metric Conversion Chart

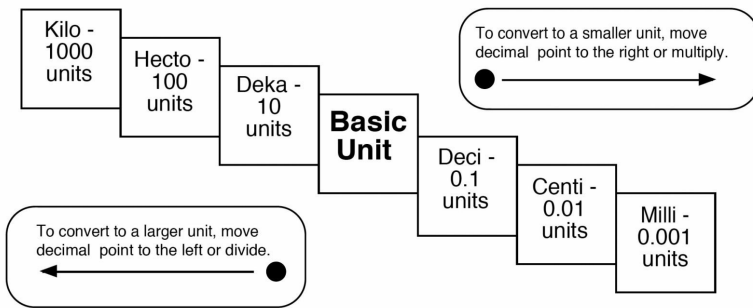


- A. 0.0000030
- B. 0.00030
- C. 3,000,000
- D. 300,000

4. Convert:

45 Kg/L to _____g/L

Metric Conversion Chart

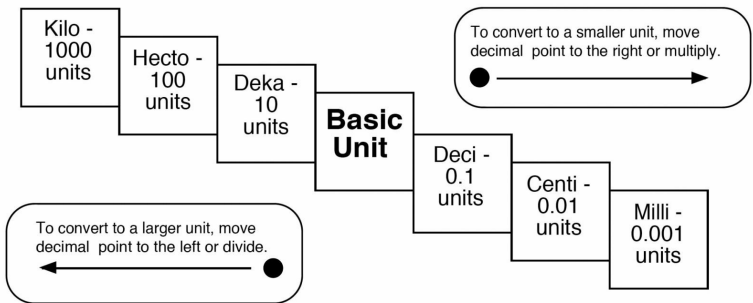


- A. 0.45
- B. 0.045
- C. 0.0045
- D. 45000

5. Convert:

85 Hg to _____mg

Metric Conversion Chart



- A. 8,500,000
- B. 850,000
- C. 0.0000085
- D. 0.000085

